

Product data sheet

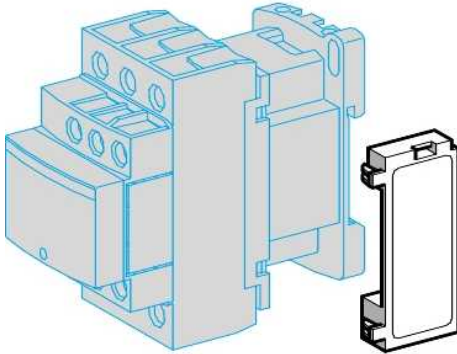
Characteristics

LAD4V3E

TeSys D - suppressor module - varistor - 24...48 V AC/DC

Product availability: Non-Stock - Not normally stocked in distribution facility

Price*: 26.20 USD



Main

Commercial Status	Commercialised
Range	TeSys
Device short name	LAD4
Product or component type	Suppressor module
Product compatibility	LC1D40A...D65A LC1DT60A...DT80A

Complementary

Mounting location	Front side
Mounting mode	By clips
Suppressor technology	Varistor (peak limiting)
Control circuit voltage	24...48 V DC 24...48 V AC
Maximum peak voltage	2 Uc
Product weight	0.04 lb(US) (0.02 kg)

Environment

Ambient air temperature for operation	-13...131 °F (-25...55 °C)
Ambient air temperature for storage	-40...176 °F (-40...80 °C)

Ordering and shipping details

Category	22341 - CONTACTOR,D,K,&F ACCESS
Discount Schedule	I12
GTIN	00785901661757
Nbr. of units in pkg.	1
Product availability	Non-Stock - Not normally stocked in distribution facility
Returnability	N
Country of origin	CZ

Contractual warranty

Warranty period	18 months
-----------------	-----------